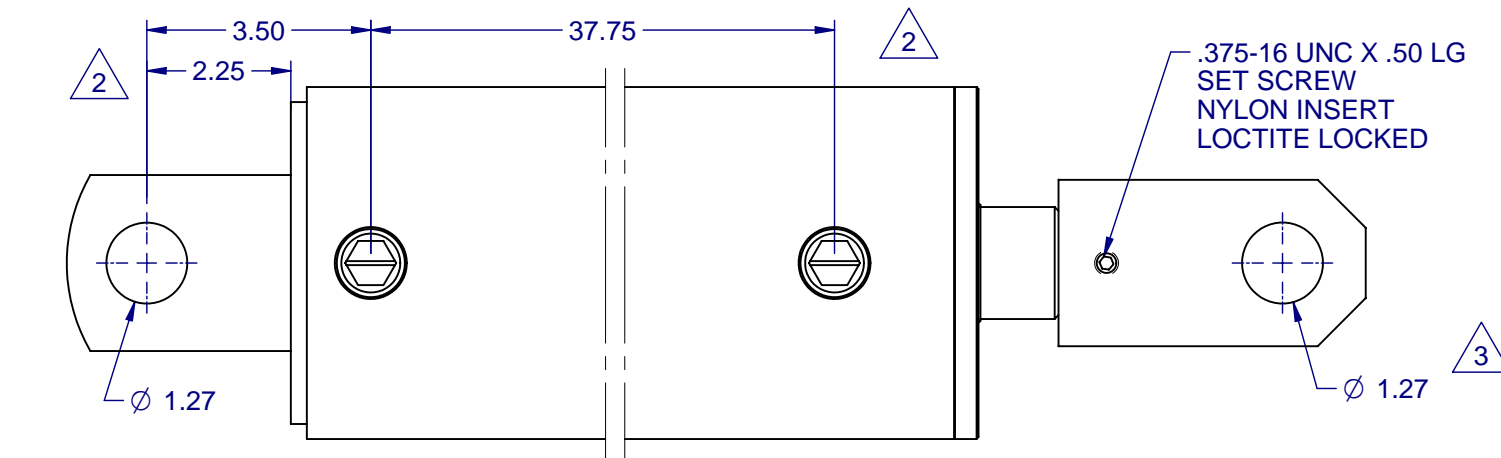
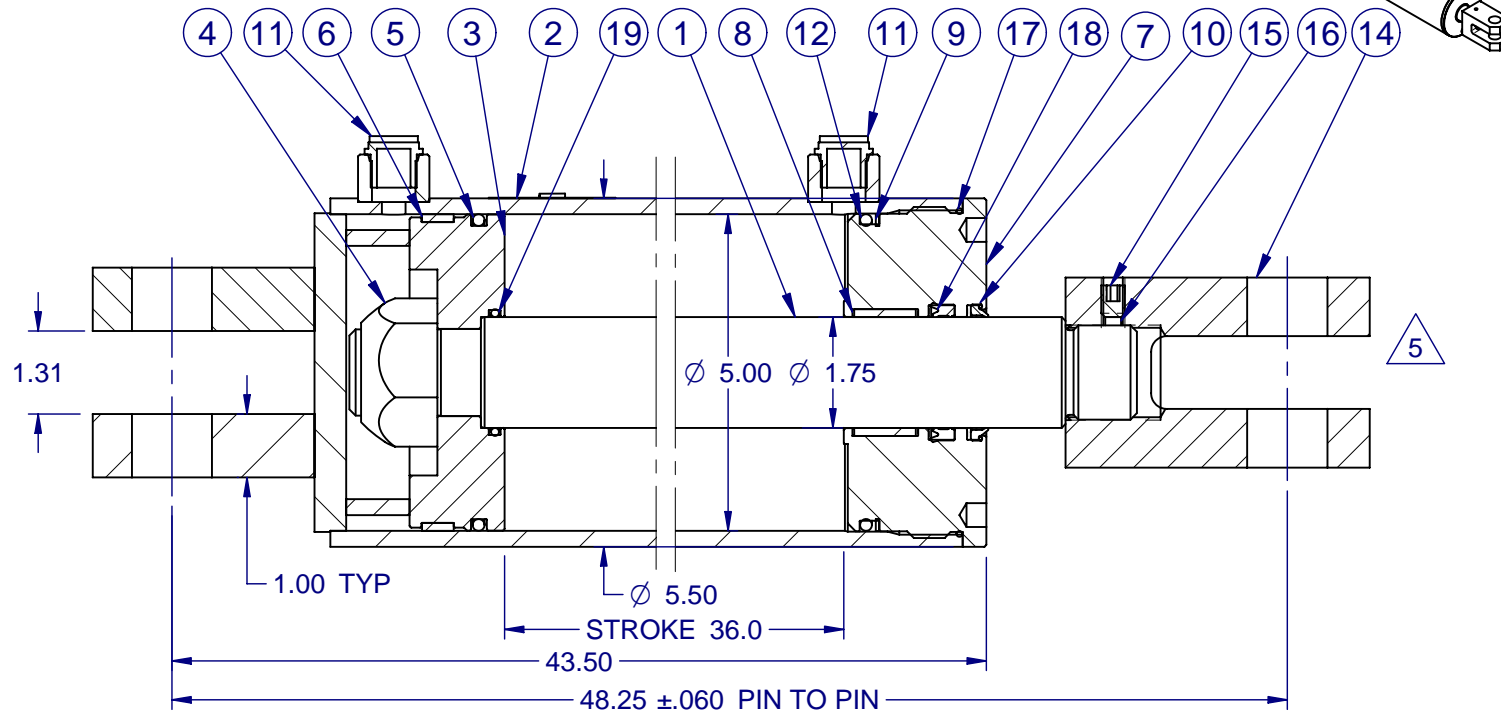


DO NOT SCALE DRAWING

NO	REVISION	BY	APP	DATE	NO	REVISION	BY	APP	DATE
6	REDESIGNED	TH	DM	08/24/09	1	PORT ORIENTATION	MG		10/01/07
7	MODIFIED SHANK & PISTON	TH	DM	09/03/09	2	ADDED DIMENSIONS			
						PROT ORIENTATION	TH	DM	10/11/07
					3	3300-51 WAS 3300-53	TH	DM	10/29/07
					4	ADDED SEAL KIT	TH	DM	11/14/08
					5	10004853 WAS 10003766			
						REVISED NOTES	MG	DM	06/11/09

- 5 NOTE: 1) MAXIMUM WORKING PRESSURE: 1000 PSI FULL EXTENSION
3000 PSI RETRACTION
2) MATERIAL - 9139031 - PAINT RED OXIDE PRIMER
3) MATERIAL - 9139510 - PAINT RED BOURGAULT
4) MATERIAL - 10004969 - SEAL KIT 5.00 X 1.750 X 1.375 BOURGAULT



19	9402249	O RING BN 2.000 X 1.750	1
18	9419169	U CUP ROD 1.75 X 2.13 X .375	1
17	9404500	O RING BN 5.188 X 5.000	1
16	10004867	INSERT NYLON .250 DIA X .190 LG	1
15	10000528	SCR SET NYLON TIP .375-16 UNC X .50 LG	1
14	10004853	CLEVIS ROD 1.50 UNF 1.25 DIA	1
13	9160813	DECAL PAL SERIAL NUMBER	1
12	9403502	O RING BN 5.000 X 4.625	1
11	9342700	PORT PLUG PLASTIC THD ORB #8	2
10*	9440199	WIPER SNAP 1.75 X 2.13 X .187	1
9	9425786	BU WASHER 5.000 X 4.625	1
8	9226739	W-RING 2.00 OD X .125 X 1.0	1
7	9731654	HEAD THD 5.00 X 1.75 W-RING	1
6	9227091	W-RING 5.00 OD X .125 X .50	1
5	9409558	O RING P 5.000 X 4.625	1
4	9857889	NUT LOCK UNTORQ 1.375-12 UNF	1
3	10004968	PISTON 5.00 X 1.375 P W-RING	1
2	10003771	TUBE 5036 BOURGAULT	1
1	10003772	SHAFT 5036 BOURGAULT	1
No.	Item No.	Description	Qty.

UNLESS OTHERWISE SPECIFIED TOLERANCES FOR NONLIMITED DIMENSIONS

.X ± .060
.XX ± .030
.XXX ± .010

ANGULAR ± 1°

SURFACE FINISH:		125/
DR'N	TH	DATE 10/01/07
CHK'D	DM	DATE 10/01/07
APP'D	DM	DATE 10/01/07



481 PANET ROAD WINNIPEG, CANADA R3C 2W7

PH. (204) 667-4630 FAX (204) 668-4530

THIS DRAWING IS THE PROPERTY OF PRINCESS AUTO LTD. AND IS BEING SUPPLIED FOR QUOTATION AND/OR FABRICATION PURPOSES ONLY - AS REQUIRED OR REQUESTED BY PRINCESS AUTO LTD. THIS DRAWING AND INFORMATION CONTAINED ON THE SAME MUST NOT BE USED FOR ANY OTHER PURPOSE THAN THAT INTENDED - NOR IN ANY OTHER MANNER THAT MAY PROVE DETRIMENTAL TO THE INTERESTS OF PRINCESS AUTO LTD.

END PRODUCT DESCRIPTION		
CYL 5036 BOURGAULT BOURGAULT # 3300-51		
SCALE	ITEM NO.	REV
1 : 3	10003765P	7
SHEET CONT. ON 1 of 1		