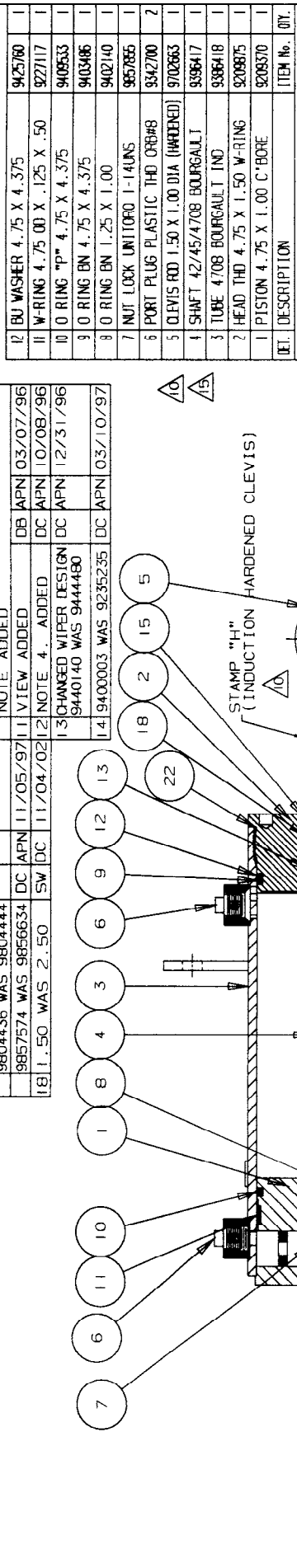


DO NOT SCALE DRAWING

NO.	REVISION	BY	APP.	DATE	NO.	REVISION	BY	APP.	DATE	
15	9396417 WAS	DM	APN	09/14/97	8	9235235 WAS	9400003	AR	APN	08/15/94
16	ADDED 9404492	DC	APN	11/05/97	9	9444480 WAS	9440140	CH	APN	12/07/94
17	DELETED 9853375				10	9702663 WAS	9709023	DB	APN	11/16/95
	9804436 WAS	9804444				NOTE: ADDED				
	9857574 WAS	9856634	DC	APN	11/05/97	11	VIEW ADDED	DB	APN	03/07/96
18	1.50 WAS 2.50	SW	DC	11/04/02	12	NOTE 4 - ADDED	DC	APN	10/08/96	
					13	CHANGED WIPER DESIGN	DC	APN	12/31/96	
					14	9400003 WAS	9444480	DC	APN	03/10/97



NO.	REVISION	BY	APP.	DATE
6	REDRAWN	AR	SA	08/30/93
7	DECAL MOVED FROM FRONT PORT TO REAR PORT	AR	APN	01/11/94
12	BU WASHER 4.75 X 4.375			9425760
11	W-RING 4.75 00 X .125 X .50			927117
10	O RING "P" 4.75 X 4.375			9409533
9	O RING BN 4.75 X 4.375			9403486
8	O RING BN 1.25 X 1.00			9402140
7	NUT LOCK UNIT OF 1-14 UNS			9657855
6	PORT PLUS PLASTIC THD ORF#8			9342700
5	CLEVIS ROD 1.50 X 1.00 DIA (HARDENED)			9702663
4	SHAFT 42/45/4708 BOURGAULT			9396417
3	TUBE 4708 BOURGAULT IND			9366418
2	HEAD THD 4.75 X 1.50 W-RING			9209875
1	PISTON 4.75 X 1.00 C-BORE			9208370
	DET. DESCRIPTION			ITEM No. QTY.

DR 'N	AR	DATE
CHK'D	SA	DATE
APP'D	APN	DATE

SURFACE FINISH: 125/

UNLESS OTHERWISE SPECIFIED TOLERANCES FOR NONLIMITED DIMENSIONS

X ± .060
XX ± .030
XXX ± .010
ANGULAR ± 1°

SHUR-LIFT INDUSTRIES LTD.
 4914 PACIFIC ROAD
 BRANFORD, CANADA
 PH. (204) 667-4630
 FAX (204) 668-4550
 REC 271

THIS DRAWING IS THE PROPERTY OF SHUR-LIFT INDUSTRIES LTD. AND IS TO BE KEPT IN CONFIDENCE. IT IS TO BE USED ONLY FOR THE MANUFACTURE AND REPAIR OF THE EQUIPMENT SPECIFIED HEREON. IT IS NOT TO BE REPRODUCED OR COPIED IN ANY MANNER WITHOUT THE WRITTEN PERMISSION OF SHUR-LIFT INDUSTRIES LTD.

END PRODUCT DESCRIPTION
 CYL 4708 BOURGAULT IND
 BOURGAULT # 646 T1

SCALE	ITEM NO.	REV
1:3	9996414M	18

DWG SIZE: SHEET CONT. ON B-

NO.	REVISION	BY	APP.	DATE
22	O RING BN 4.938 X 4.750			9404492
21	O RING BN .812 X .687			9400177
20	SEAL KIT 4.75 X 1.50 X 1.00			9346594M
19	PAINT BOURGAULT RED			9139510
18	U CUP ROD 1.875 X 1.50 X .375			9419102
17	BOLT HEX .500-13 UNC X 2.50 LG			9604436
16	DECAL - SERIAL SHUR-LIFT			9161027
15	WIPER SNAP 1.50 X 1.88 X .187			9440140
14	NUT LOCK UNIT OF 1.500-13 UNC			9657574
13	W RING 1.75 00 X .125 X 1.00			9400003
	DET. DESCRIPTION			ITEM No. QTY.

NOTE: -
 1. SETTLE BACK IS +0.31 TO -0.03
 2. AT 500 PSI PRESSURE DROP
 RE-PHASE FLOW IS 3.00 GAL. U.S./MIN.
 3. TORQUE SPEC: HEAD 200 FT.-LB.
 PISTON NUT 200 FT.-LB.
 CLEVIS 67 FT.-LB.
 4. WORKING PRESSURE 3000 PSI

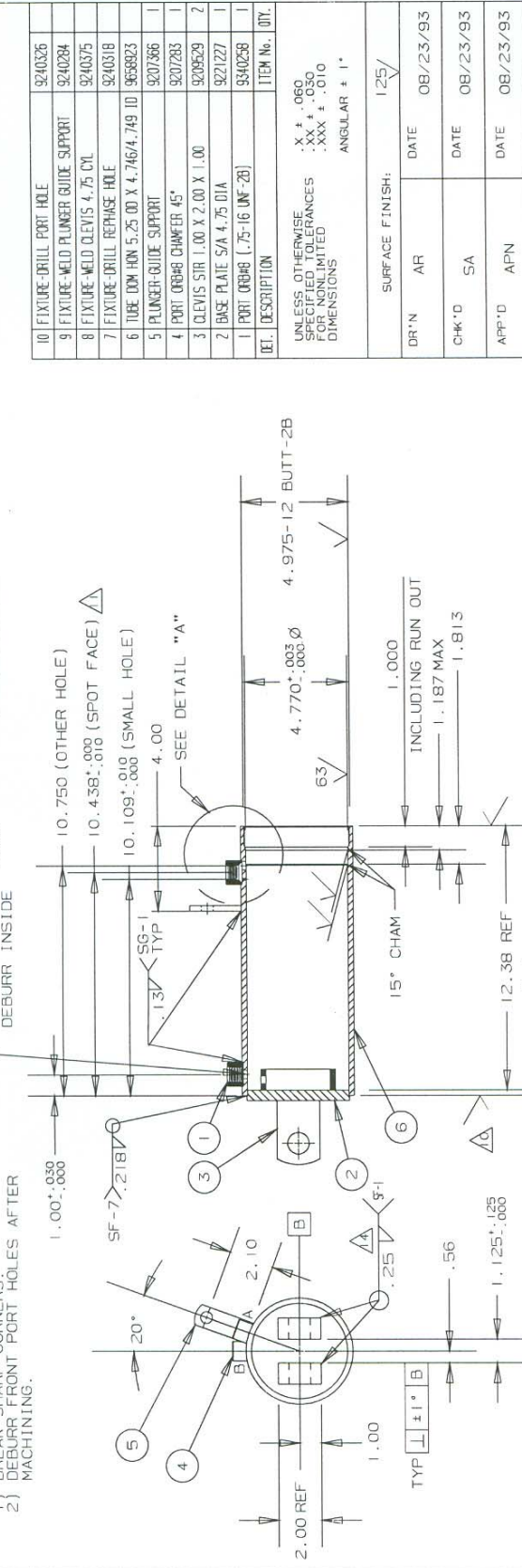
DETAIL FOR DECAL INSTALLATION
 NOTE: NTS

P	SK	O	W

NO.	REVISION	DATE	BY	APP.	NO.	REVISION	DATE	BY	APP.
13	12.72 WAS 12.63				10	12.63 FACE LENGTH WAS ADDED		YA	APN 08/07/98
14	REF WAS +.030/-0.000	02/16/01	SW	DC	11	MACHINING WAS ADDED		SW	DC 01/11/01
	DRILL THRU .401 Ø, 2 HOLES.				12	HOLES DIM. FROM OTHER END		SW	DC 02/07/01
	C-BORE 1.125 + .030 Ø X .06 DP					ADDED 1.675			
	DEBURR INSIDE								

DO NOT SCALE DRAWING

NOTE: -
 1) BREAK SHARP CORNERS.
 2) DEBURR FRONT PORT HOLES AFTER MACHINING.



DR 'N	AR	DATE
CHK 'D <td>SA</td> <td>DATE</td>	SA	DATE
APP 'D <td>APN</td> <td>DATE</td>	APN	DATE

UNLESS OTHERWISE SPECIFIED TOLERANCES ARE UNLIMITED DIMENSIONS ANGULAR ± 1°

SURFACE FINISH: 125/

INDUSTRIES LTD.
 481 PAVET ROAD, GAMBIA
 FAX (224) 866-4530
 REC-221

THIS DRAWING IS THE PROPERTY OF SHUR-LIFT IND. LTD. AND IS BEING SUPPLIED FOR QUOTATION AND/OR FABRICATION PURPOSES. THIS DRAWING AND INFORMATION CONTAINED HEREIN IS NOT TO BE REPRODUCED OR TRANSMITTED IN ANY FORM OR BY ANY MEANS, WITHOUT THE WRITTEN PERMISSION OF SHUR-LIFT IND. LTD.

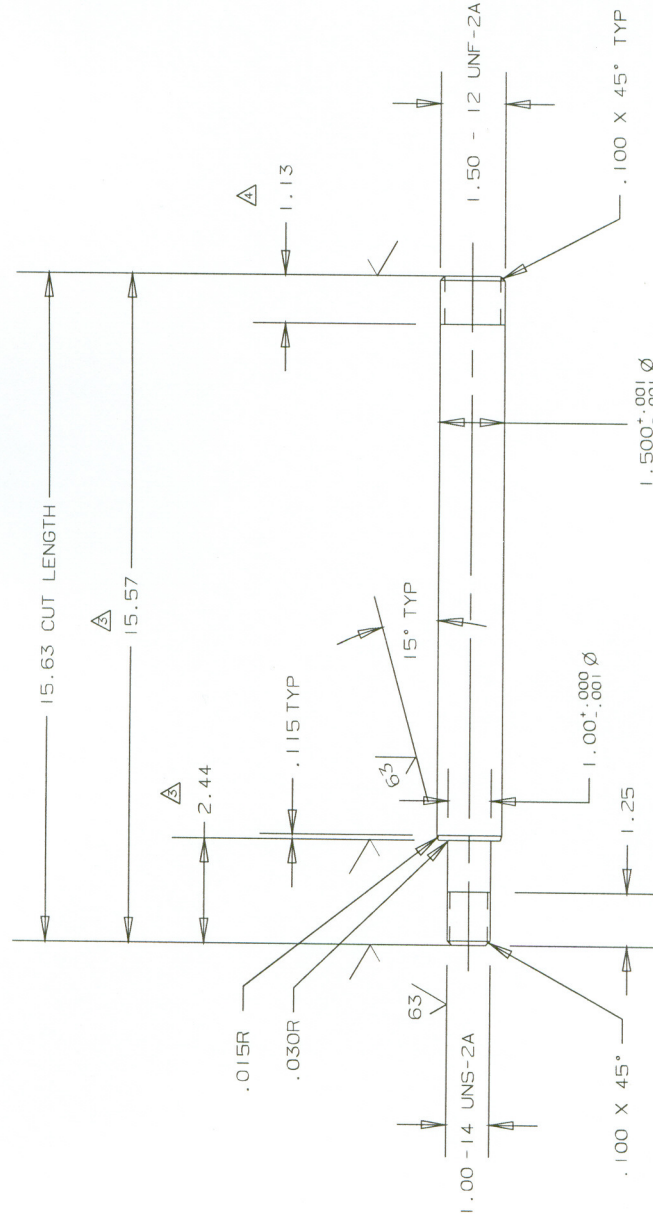
END PRODUCT DESCRIPTION	
TUBE 4708 THD BOURGAULT IND	
SCALE	1:5
ITEM NO.	9386418
REV	14
DWG SIZE	SHEET CONT. ON

BEFORE WELDING CHECK 1.000 X 45° CHAMFER MACHINED SURFACE FACING INSIDE THE TUBE



M	FW	FW	FD	FD

DO NOT SCALE DRAWING

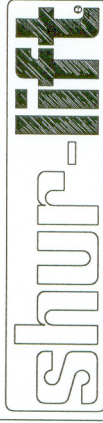


NO.	REVISION	BY	APP.	DATE
2	REDRAWN	AR	SA	08/23/93
3	15.57 WAS 15.63	DC	APN	10/15/96
	2.44 WAS 2.50			
4	1.13 WAS 1.125	BP	APN	03/10/98

ITEM DESCRIPTION	ITEM No.	QTY.
1 BAR RD PG C-1045 CHROME 1.50	9686114	

UNLESS OTHERWISE SPECIFIED TOLERANCES FOR NONLIMITED DIMENSIONS
 .X ± .060
 .XX ± .030
 .XXX ± .010
 ANGULAR ± 1°

SURFACE FINISH: 125/	
DR'N	AR
DATE	08/23/93
CHK'D	SA
DATE	08/23/93
APP'D	APN
DATE	08/23/93



INDUSTRIES LTD.
 481 PANET ROAD
 WINNIPEG, CANADA
 REC 271
 PH. (204) 667-4630
 FAX (204) 668-4530

THIS DRAWING IS THE PROPERTY OF SHUR-LIFT IND. LTD. AND IS BEING SUPPLIED FOR QUOTATION AND/OR FABRICATION PURPOSES. THIS DRAWING AND INFORMATION CONTAINED ON THE SAME MUST NOT BE REPRODUCED OR TRANSMITTED IN ANY FORM OR BY ANY MEANS, IN ANY OTHER MANNER OTHER THAN EXPRESS WRITTEN PERMISSION. NOT IN ANY OTHER MANNER MAY PROVE DETRIMENTAL TO THE INTERESTS OF SHUR-LIFT IND. LTD.

END PRODUCT DESCRIPTION	
SFT 4508 BOURGALT IND	

SCALE	ITEM NO.	REV
1:3	9396417	
DWG SIZE	SHEET CONT. ON	
B-	4	

NOTE: BREAK SHARP CORNERS

M