

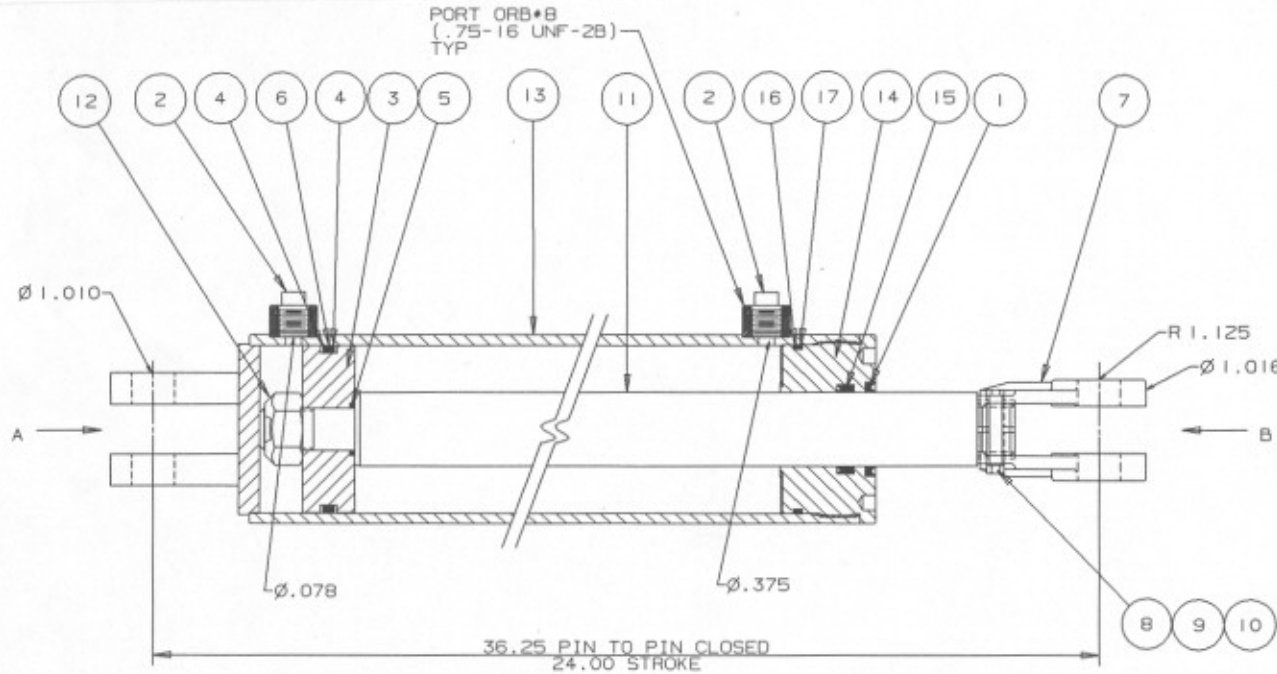
To: Richard Kostelnyk  
MOL H INDUSTRIES.

Fax (204) 899-9120  
Ph (204) 786-7921

FROM: TONY KOSAKOWSKY  
BOURGAULT INDUSTRIES

Fax (306) 275-2104  
Ph (306) 275-2017

NO.	REVISION	BY	APP.	DATE
1	REDRAWN	AR	APN	05/17/94
2	BOURGAULT #3300-38 MS 3300-58	AR	APN	11/28/94



11	SHAFT 4024 BOURGAULT	9395997	1
10	NUT HEX .375-16 UNC GRS PTD	9856618	1
9	BOLT HEX .375-16 UNC X 2.25 LG	9803842	1
8	WASHER LOCK SPLIT REG .375PTD	9853359	1
7	CLEVIS ROD 1.25 X 1.00 DIA	9709015	1
6	O RING BN 4.00 X 3.625	9403429	1
5	O RING BN 1.25 X 1.00	9402140	1
4	BU WASHER 4.00 X 3.625	9425703	2
3	PISTON 4.00 X 1.00	9700204	1
2	PORT PLUG PLASTIC THD ORB#8	9342700	2
1	WIPER HT 1.75 X 2.25 X .25	9440199	1
DET. DESCRIPTION	ITEM No.		QTY.

UNLESS OTHERWISE SPECIFIED TOLERANCES FOR NON-LIMITED DIMENSIONS

.X \* .060  
.XX \* .030  
.XXX \* .010

ANGULAR \* 1°

SURFACE FINISH: 125/

DR'N	AR	DATE	05/10/94
CHK'D	APN	DATE	05/10/94
APP'D	APN	DATE	05/10/94

**shur-lift**  
INDUSTRIES LTD.

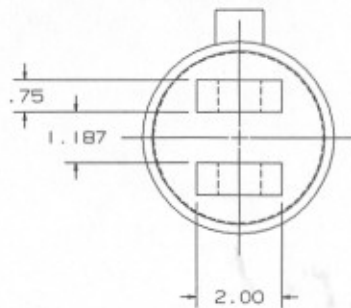
481 PANET ROAD WINNIPEG, CANADA R2C 2Z1  
PH. (204) 887-4630 FAX (204) 888-4630

THIS DRAWING IS THE PROPERTY OF SHUR-LIFT IND. LTD. AND IS BEING SUPPLIED FOR QUOTATION AND/OR FABRICATION PURPOSES ONLY - AS REQUESTED OR REQUESTED BY SHUR-LIFT IND. LTD. THIS DRAWING AND INFORMATION CONTAINED ON THE SAME MUST NOT BE USED FOR ANY OTHER PURPOSE THAN THAT INTENDED - NOR IN ANY OTHER MANNER THAT MAY PROVE DETRIMENTAL TO THE INTERESTS OF SHUR-LIFT IND. LTD.

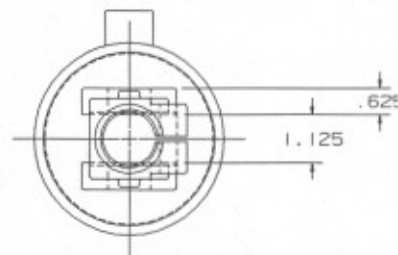
END PRODUCT DESCRIPTION

CYL 4024 BOURGAULT BOURGAULT #3300-38

SCALE	1:3	ITEM NO.	9995994P	REV	2
DWG SIZE	B-	SHEET CONT. ON			



VIEW ON "A"



VIEW ON "B"

P	D	SK
---	---	----

20	SEAL KIT 4.00 X 1.75 X 1.00	9346347M	
19	DECAL PAL SERIAL #	9161027	
18	PAINT BOURGAULT RED	9139510	
17	BU WASHER 4.00 OD X 3.75 ID	9424862	1
16	O RING BN 4.00 X 3.75	9402405	1
15	U CUP LB 2.125 X 1.75 X .375	9419169	1
14	HEAD THD #100 X 1.75	9730920	1
13	TUBE 4024 BOURGAULT	9395998	1
12	NUT LOCK UNITORO 1.00-14 UNS	9857855	1
DET. DESCRIPTION	ITEM No.		QTY.

3300-38