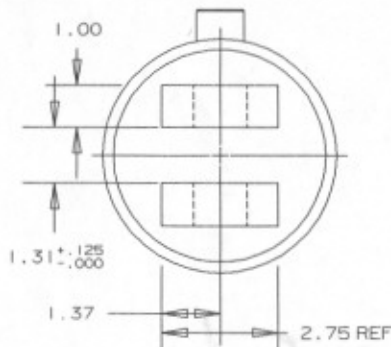
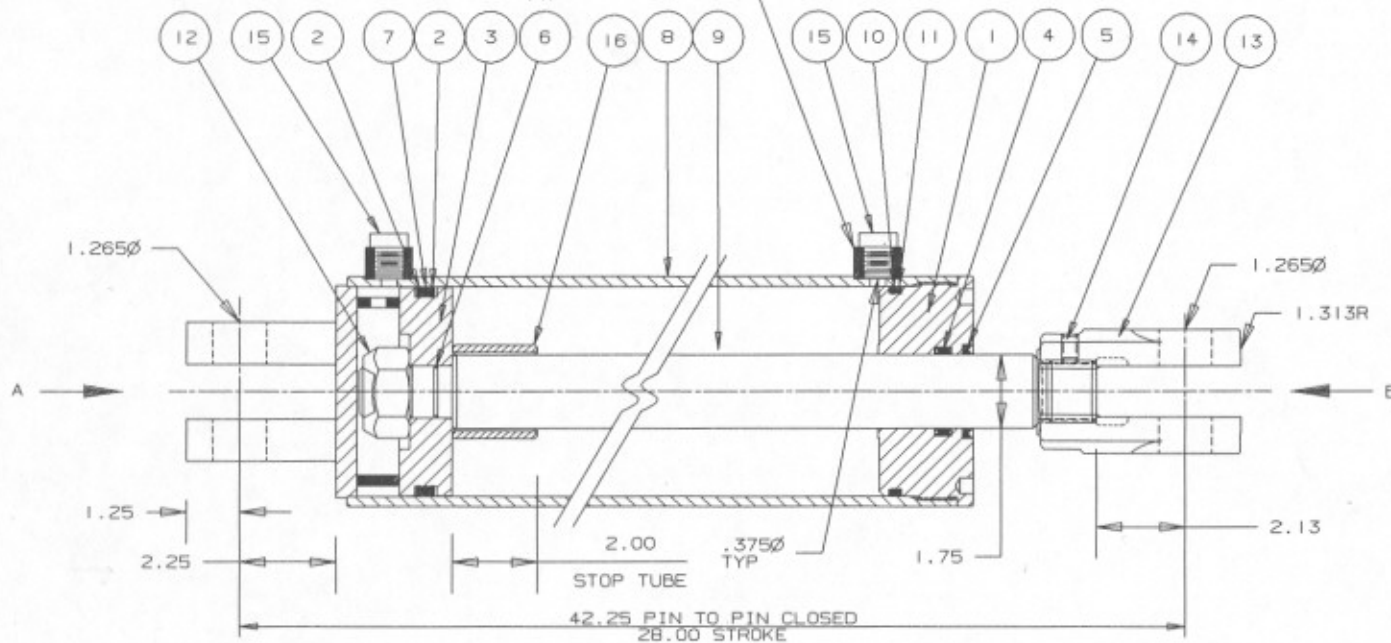
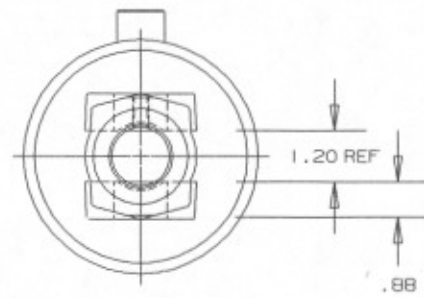


DO NOT SCALE DRAWING

PORT ORB #B
(.75-16 UNF-2B)
TYP



VIEW AT "A"



VIEW AT "B"

P	D	SK
---	---	----

NO.	REVISION	BY	APP.	DATE
1	9226440 WAS 9206440	DB	APN	09/13/95

DET.	DESCRIPTION	ITEM No.	QTY.
11	BU WASHER 5.00 OD X 4.625 ID	9425786	1
10	O RING BN 5.00 X 4.625	9403502	1
9	SHAFT 5028 BOURGALT	9398025	1
8	TUBE 5030 BOURGALT	9387978	1
7	O RING BN 5.00 X 4.50	9404252	1
6	O RING BN 1.25 X 1.125	9400243	1
5	WIPER MT 1.75 X 2.25 X .25	9444498	1
4	U CUP 2.125 X 1.75 X .375	9419169	1
3	PISTON 5.00 X 1.25	9700311	1
2	BU WASHER 5.00 X 4.50	9426206	2
1	HEAD THD 5.00 X 1.75	9731126	1

UNLESS OTHERWISE SPECIFIED TOLERANCES FOR NONLIMITED DIMENSIONS

.X ± .060
.XX ± .030
.XXX ± .010

ANGULAR ± 1°

SURFACE FINISH: 125/

DR'N	AR	DATE	05/05/95
CHK'D	APN	DATE	05/05/95
APP'D	APN	DATE	05/05/95

shur-lift
INDUSTRIES LTD.
481 PANET ROAD WINNIPEG, CANADA R2C 2Z1
PH. (204) 667-4530 FAX (204) 666-4530

THIS DRAWING IS THE PROPERTY OF SHUR-LIFT IND. LTD. AND IS BEING SUPPLIED FOR QUOTATION AND/OR FABRICATION PURPOSES ONLY - AS REQUIRED OR REQUESTED BY SHUR-LIFT IND. LTD. THIS DRAWING AND INFORMATION CONTAINED ON THE SAME MUST NOT BE USED FOR ANY OTHER PURPOSE THAN THAT INTENDED - NOR IN ANY OTHER MANNER THAT MAY PROVE DETRIMENTAL TO THE INTERESTS OF SHUR-LIFT IND. LTD.

19	SEAL KIT 5.00 X 1.75 X 1.25	9348368M	
18	DECAL SERIAL SHUR-LIFT	9161027	
17	PAINT BOURGALT RED	9139510	
16	STOP TUBE 1.875 ID X 2.00 LG	9202532	1
15	PORT PLUG PLASTIC THD ORB #B	9342700	2
14	SCREW SHOULDER .375-16 X .50 LG	9226440	1
13	CLEVIS ROD 1.50 X 1.25 DIA	9709114	1
12	NUT LOCK UNITORO 1.25 - 12 UNF	9857871	1
DET.	DESCRIPTION	ITEM No.	QTY.

END PRODUCT DESCRIPTION		
CYL 5028 BOURGALT BOURGALT # 3300-82		
SCALE	ITEM NO.	REV
1:3	9998113P	
DWG SIZE	SHEET CONT. ON	
B-		1

3300-82