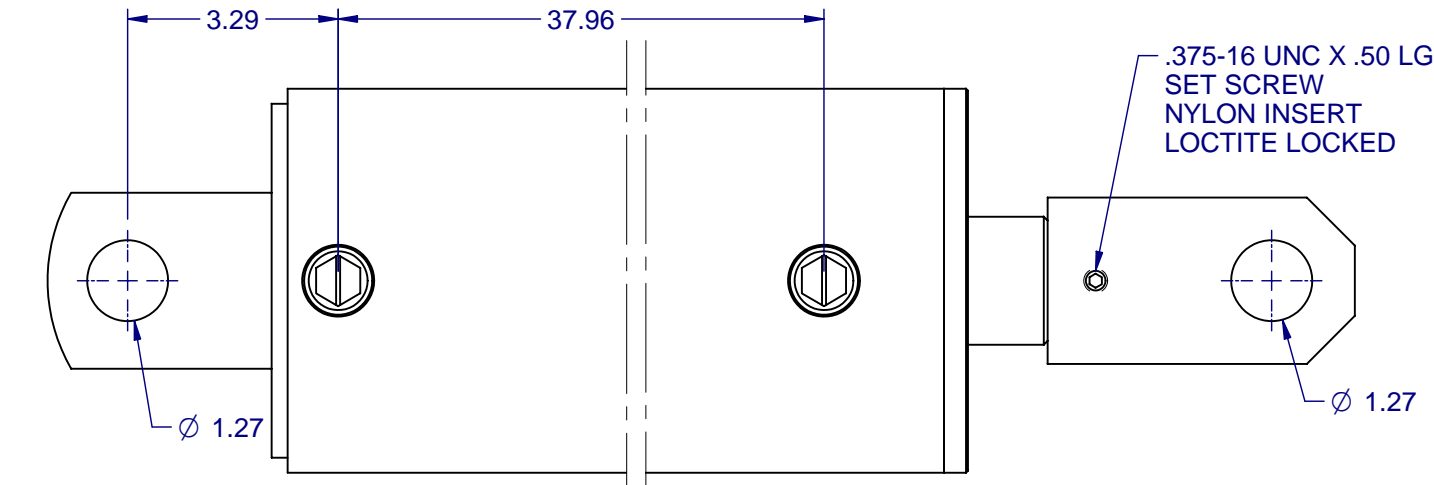
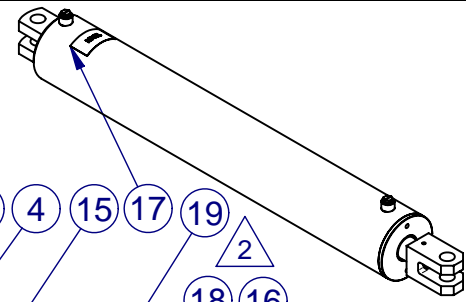
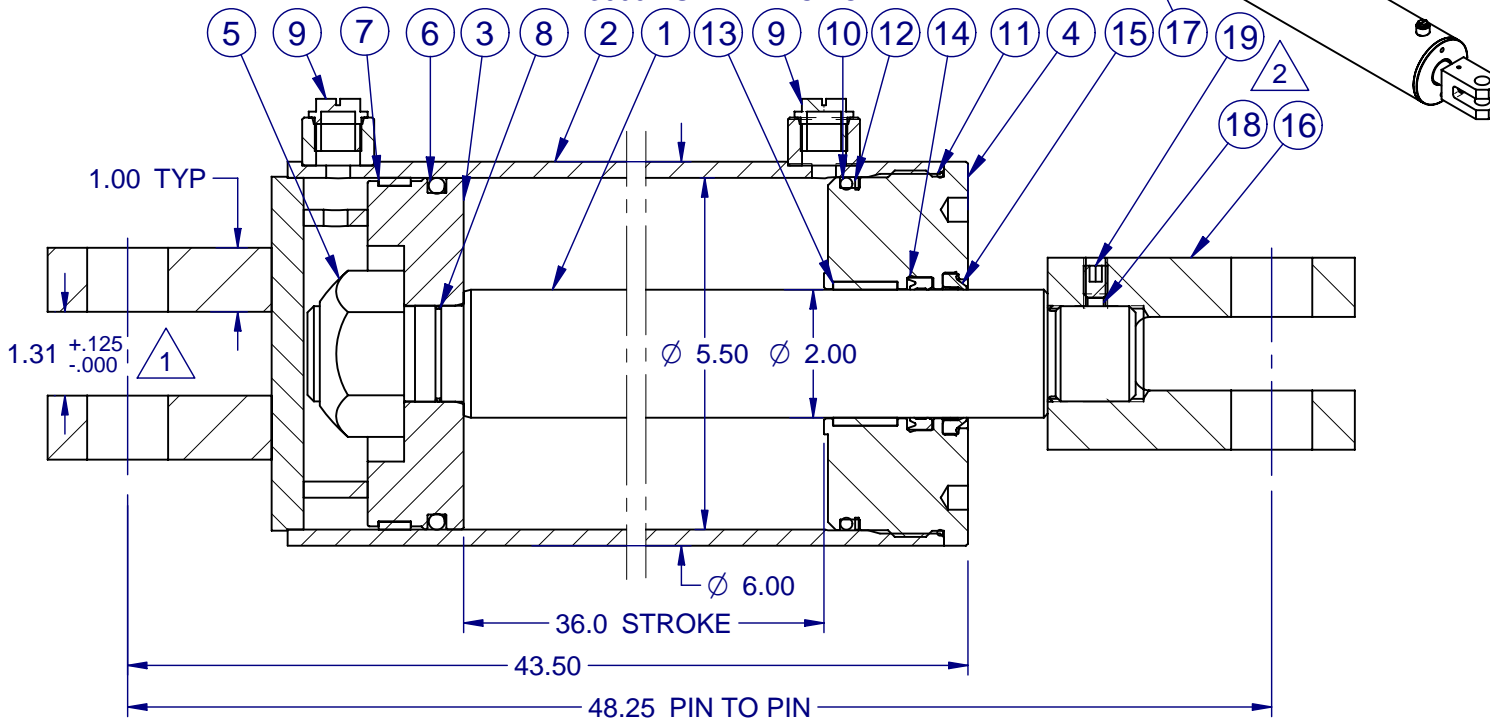


DO NOT SCALE DRAWING

- NOTE: 1) MATERIAL - 9349267 - SEAL KIT 5.50 X 2.00 X 1.50
 2) MATERIAL - 9139031 - PAINT RED OXIDE PRIMER
 3) MATERIAL - 9139510 - PAINT RED BOURGAULT
 4) MAXIMUM WORKING PRESSURE: 1400 PSI FULL EXTENSION
 3000 PSI RETRACTION



NO	REVISION	BY	APP	DATE
1	ADDED TOLERANCE	TH	DM	01/22/08
2	10004853 WAS 10003766			
	ADDED 9139031			
	ADDED 10004867			
	REVISED NOTES	MG	DM	06/18/09

19	10000528	SCR SET NYLON TIP .375-16 UNC X .50 LG	1
18	10004867	INSERT NYLON .250 DIA X .190 LG	1
17	9160813	DECAL PAL SERIAL NUMBER	1
16	10004853	CLEVIS ROD 1.50 UNF 1.25 DIA	1
15	9440231	WIPER SNAP 2.00 X 2.50 X .250	1
14	9419201	U CUP ROD 2.00 X 2.38 X .375	1
13	9410481	W-RING 2.25 OD X .125 X 1.0	1
12	9203795	BU WASHER 5.500 X 5.125	1
11	9404518	O RING BN 5.688 X 5.500	1
10	9403544	O RING BN 5.500 X 5.125	1
9	9342700	PORT PLUG THD ORB #8	2
8	9400284	O RING BN 1.500 X 1.375	1
7	9411406	W-RING 5.50 OD X .125 X .50	1
6	9408949	O RING P 5.5000 X 5.000	1
5	9857897	NUT LOCK UNITORQ 1.500-12 UNF	1
4	9731662	HEAD THD 5.50 X 2.00 W-RING	1
3	9709122	PISTON 5.50 X 1.50 W-RING "P"	1
2	9388638	TUBE 5536 BOURGAULT	1
1	9398348	SHAFT 5536 BOURGAULT	1

UNLESS OTHERWISE SPECIFIED TOLERANCES FOR NONLIMITED DIMENSIONS

.X ± .060
 .XX ± .030
 .XXX ± .010
 ANGULAR ± 1°

SURFACE FINISH:		125/
DR'N	TH	DATE 09/13/07
CHK'D	DM	DATE 09/13/07
APP'D	DM	DATE 09/13/07



481 PANET ROAD WINNIPEG, CANADA R3C 2W7
 PH. (204) 667-4630 FAX (204) 668-4530

THIS DRAWING IS THE PROPERTY OF PRINCESS AUTO LTD. AND IS BEING SUPPLIED FOR QUOTATION AND/OR FABRICATION PURPOSES ONLY - AS REQUIRED OR REQUESTED BY PRINCESS AUTO LTD. THIS DRAWING AND INFORMATION CONTAINED ON THE SAME MUST NOT BE USED FOR ANY OTHER PURPOSE THAN THAT INTENDED - NOR IN ANY OTHER MANNER THAT MAY PROVE DETRIMENTAL TO THE INTERESTS OF PRINCESS AUTO LTD.

END PRODUCT DESCRIPTION		
CYL 5536 BOURGAULT BOURGAULT # 3300-71		
SCALE 1 : 3	ITEM NO. 10003767P	REV 2
SHEET CONT. ON 1 of 1		